

THIS DRAWING IS UNPUBLISHED.

RELEASED FOR PUBLICATION

ALL RIGHTS RESERVED.

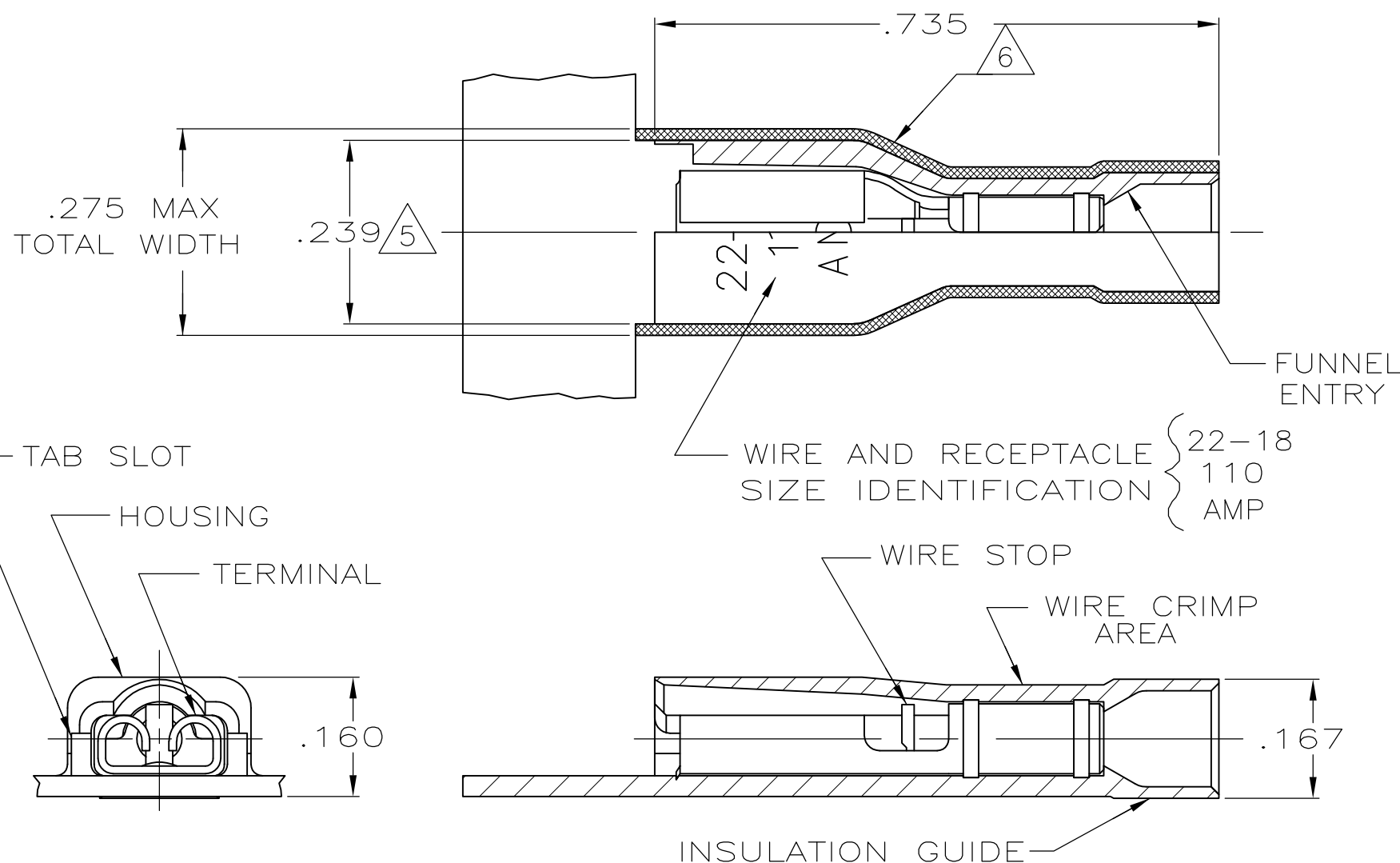
© COPYRIGHT - By -

LOC AF DIST 50

REVISIONS

P	LTR	DESCRIPTION	DATE	DWN	APVD
V		REVISED PER ECR-13-004343	30JUL13	KH	KR

- 1 MATES WITH .020±.001X.110 OR .125 TAB PER NEMA DC-2.
- 2 WIRE STRIP LENGTH .281
- 3 INSULATION SIZE .120 MAX DIA
- 4 CONTINUOUS STRIP ON REELS
- △5 DIMENSION DOES NOT INCLUDE TRIM BURR
- △6 .015 MAX CARRIER TRIM BURR PER SIDE IS ALLOWABLE IN THE SHADED AREA



HOUSING: NYLON, COLOR-RED TRANSLUCENT
 RECEPTACLE: BRASS
 TIN

2-520083-2

MATERIAL & FINISH

PART NO

THIS DRAWING IS A CONTROLLED DOCUMENT.

DWN P FORTNEY 11/9/88

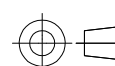
CHK MS FEHER 11/9/88

APVD TL SHUTTER 11/11/88



DIMENSIONS: INCHES

TOLERANCES UNLESS OTHERWISE SPECIFIED:



0 PLC	± -
1 PLC	± -
2 PLC	± -
3 PLC	± .015
4 PLC	± -
ANGLES	± -

MATERIAL SEE TABLE

FINISH SEE TABLE

108-2043

APPLICATION SPEC

114-2123

WEIGHT -

NAME RECEPTACLE ASSY, ULTRA-FAST, .110/.125 SERIES, 22-18 AWG

SIZE A3 CAGE CODE 00779 DRAWING NO C-520083

RESTRICTED TO -

CUSTOMER DRAWING

SCALE 5:1

SHEET 1 OF 1

REV V